

PRODUCT SPECIFICATIONS

Elkay WaterSentry 35000 Gallon Bacteria Water Filtration System.
Overall dimensions are 11-1/8" x 5-5/8" x 18-13/16".

Dimensions:	11-1/8" x 5-5/8" x 18-13/16"
Shipping Weight:	8 lbs.
Flow Rate:	1.5 GPM (5.6 L/m)
Capacity:	
Temperature:	40-100°F (4-38°C)
Initial Pressure Drop:	2-5 PSI (14-34 kPa)
Maximum Pressure:	105 PSI (724 kPa)
Minimum Pressure:	20 PSI (138 kPa)
Water Inlet:	3/8" (9.5mm) O.D. tube
Water Outlet:	1/4" (6.4mm) O.D. tube

Special Note: This ultrafiltration system has a process that reduces particles and microorganisms of up to .2 microns. It also reduces odor, taste and chlorine.

- This water filtration system (WSP35000) provides a reduction in aerobic mesophilic bacterial organisms and the coliform bacteria by mechanical means
- The system includes a Quick-Connect head for the water supply that allows easy installation and replacement of the cartridge.



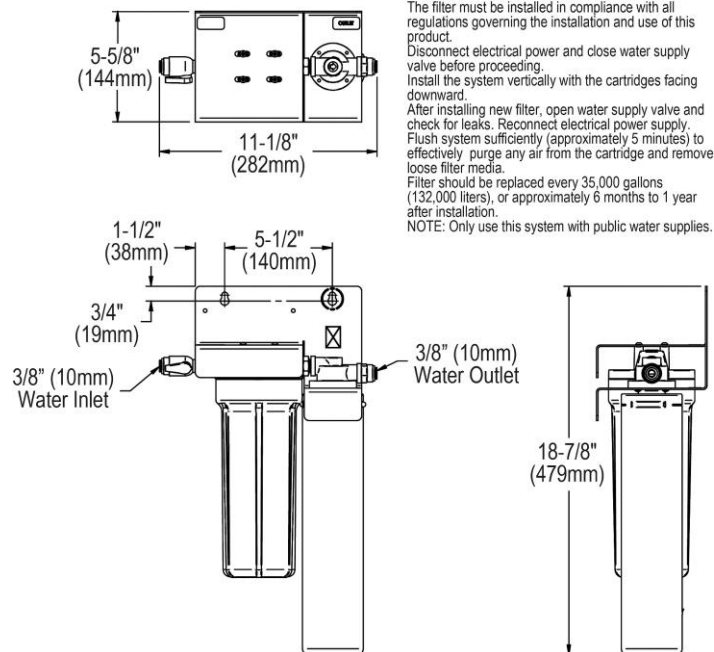
AMERICAN PRIDE. A LIFETIME TRADITION.
Like your family, the Elkay family has values and traditions that endure. For almost a century, Elkay has been a family-owned and operated company, providing thousands of jobs that support our families and communities.



Product Compliance: NOM-244

NOM

[Installation Instructions \(PDF\)](#)



INSTALLATION INSTRUCTIONS
The filter must be installed in compliance with all regulations governing the installation and use of this product.
Disconnect electrical power and close water supply valve before proceeding.
Install the system vertically with the cartridges facing downward.
After installing new filter, open water supply valve and check for leaks. Reconnect electrical power supply. Flush system sufficiently (approximately 5 minutes) to effectively purge any air from the cartridge and remove loose filter media.
Filter should be replaced every 35,000 gallons (132,000 liters), or approximately 6 months to 1 year after installation.
NOTE: Only use this system with public water supplies.

PART: _____ QTY: _____
PROJECT: _____
CONTACT: _____
DATE: _____
NOTES: _____
APPROVAL: _____

In keeping with our policy of continuing product improvement, Elkay reserves the right to change product specifications without notice. Please visit elkay.com for the most current version of Elkay product specification sheets. This specification describes an Elkay product with design, quality, and functional benefits to the user. When making a comparison of other producers' offerings, be certain these features are not overlooked.